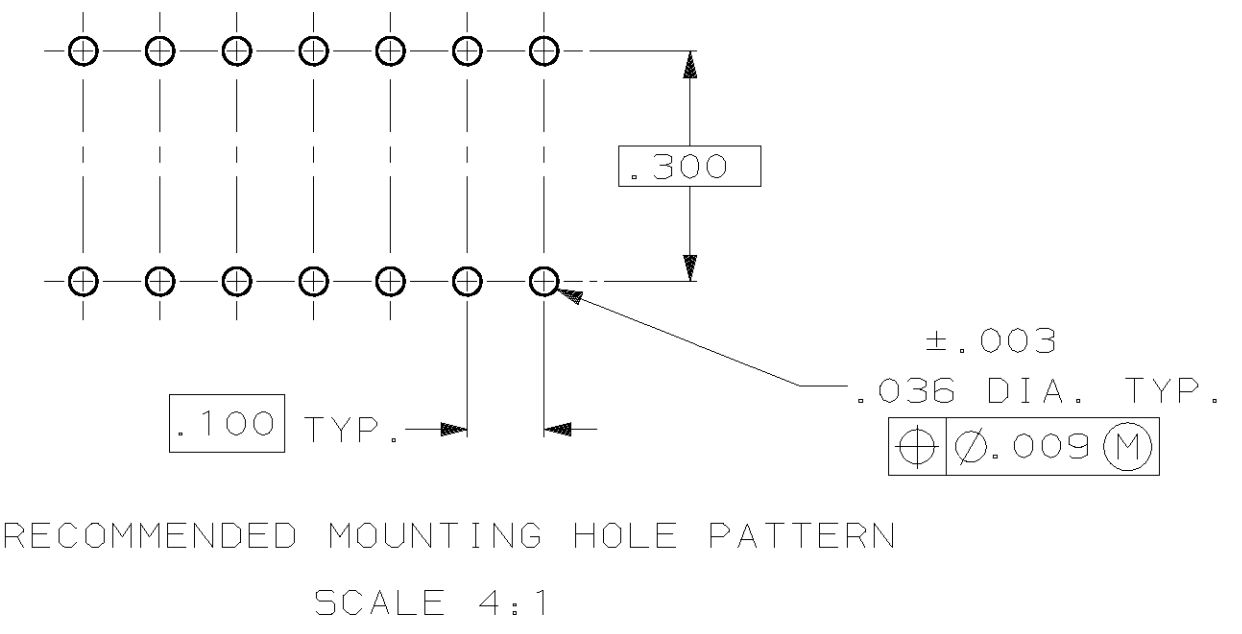
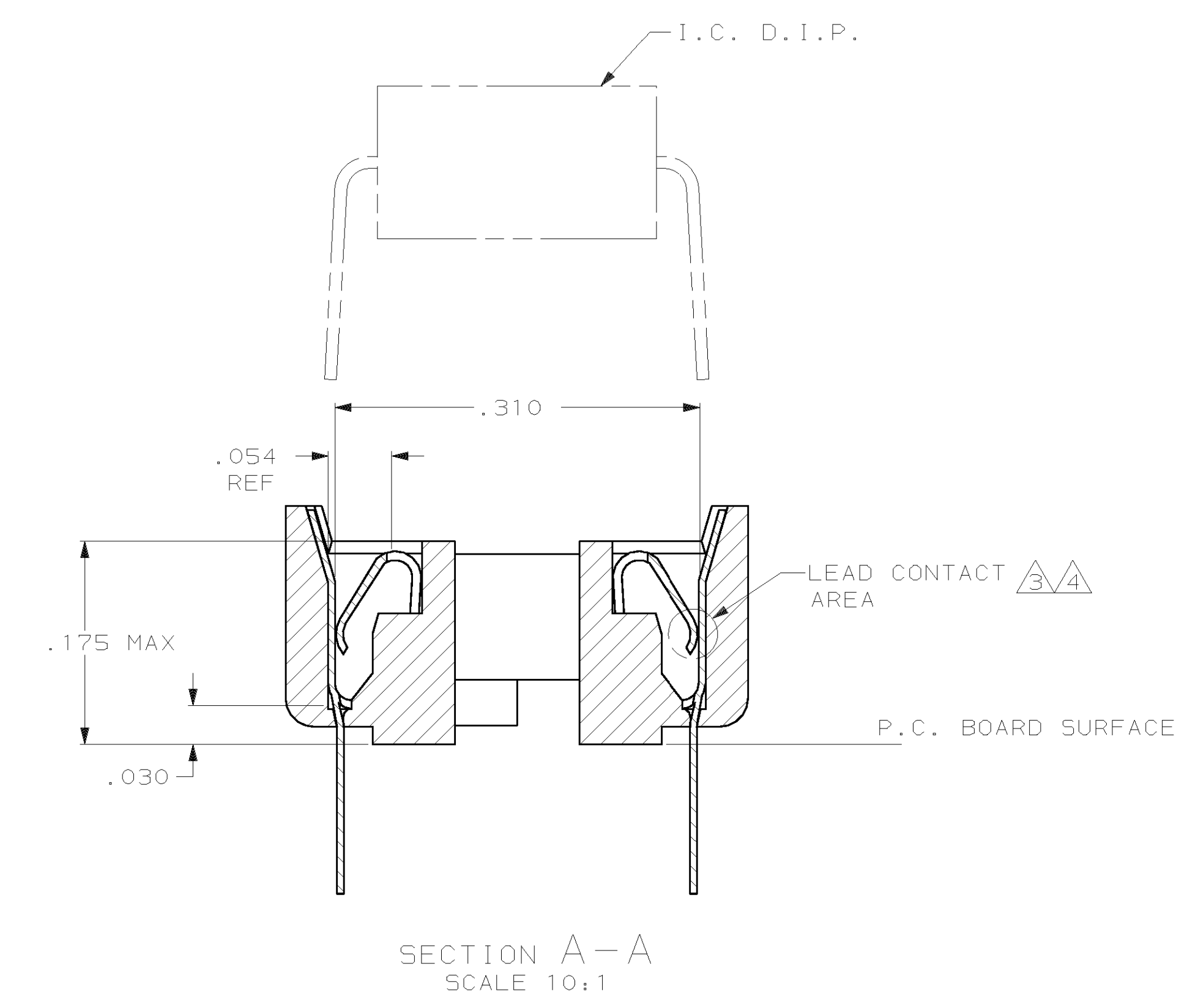
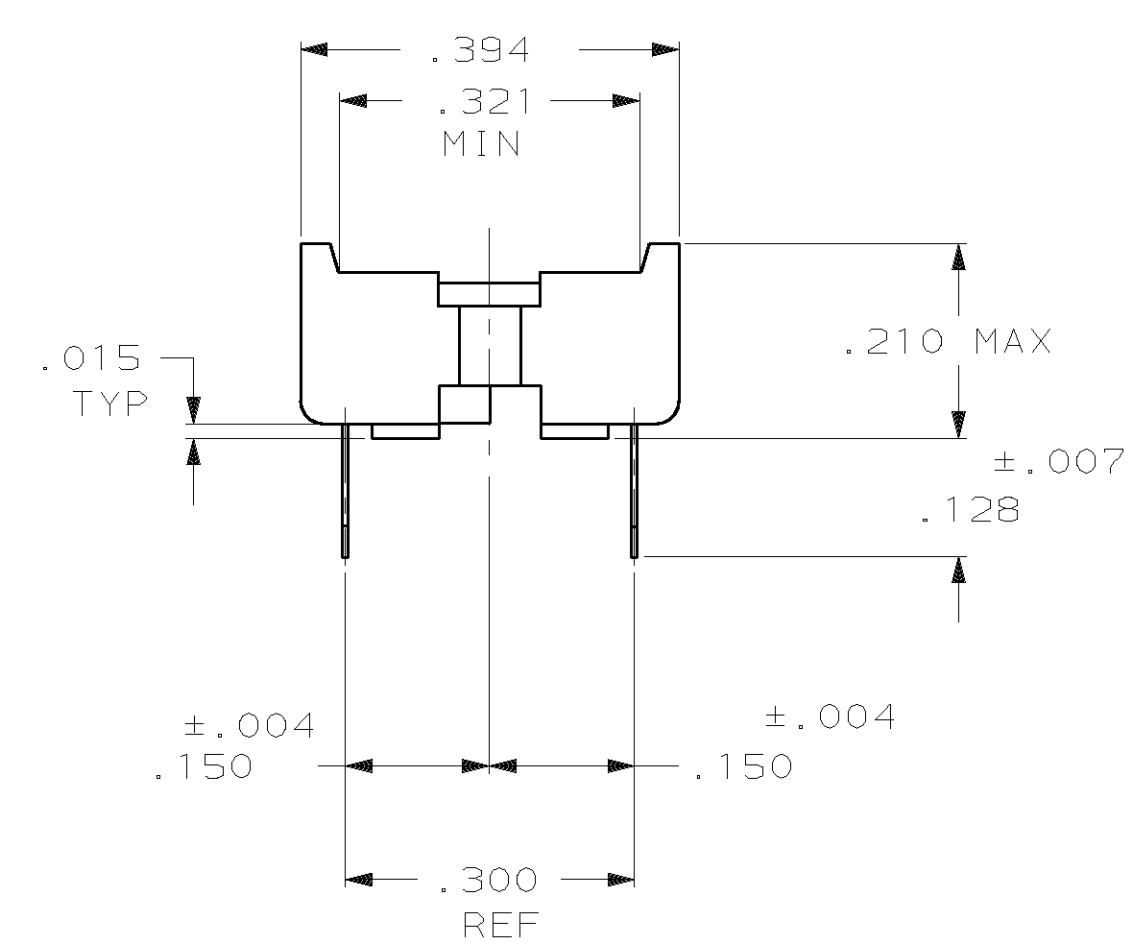
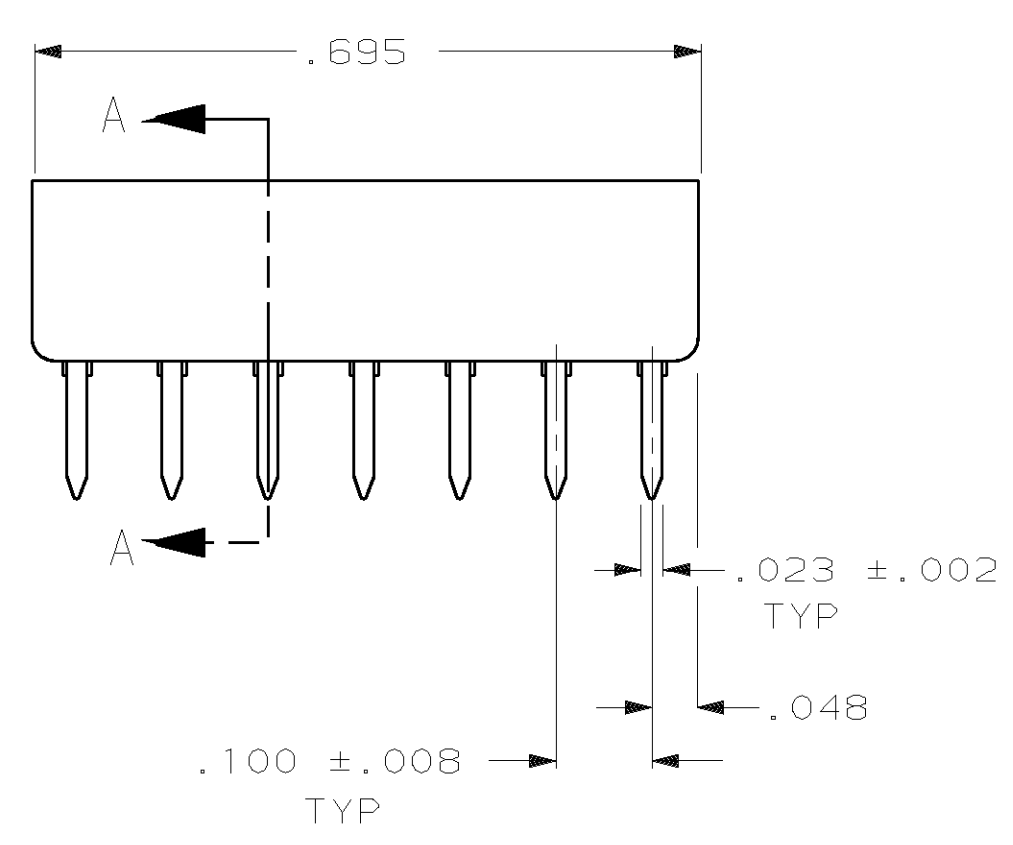
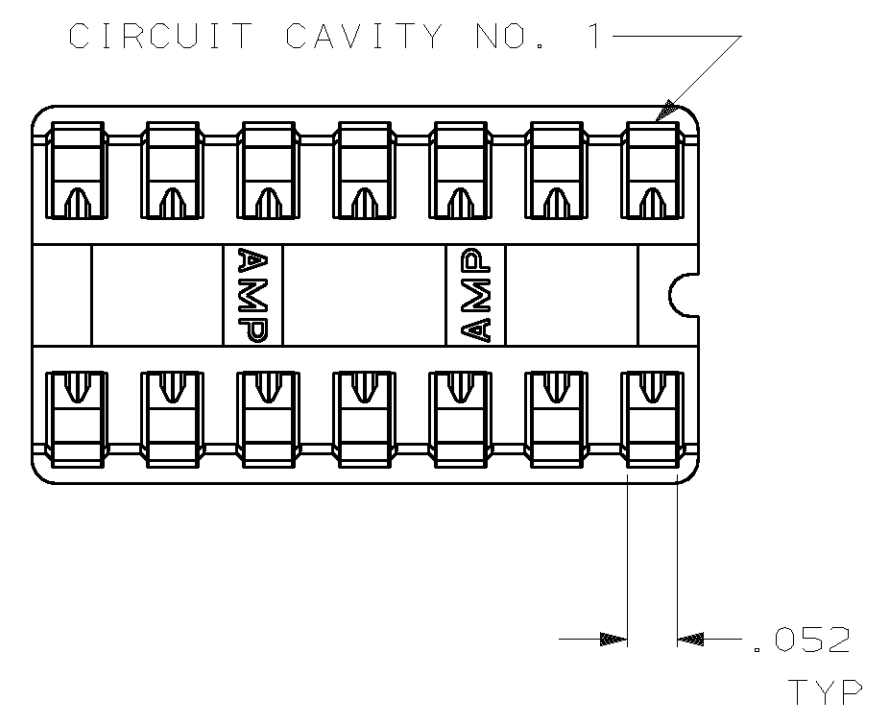


DRAWING MADE IN THIRD ANGLE PROJECTION
 THIS DRAWING IS UNPUBLISHED. RELEASED FOR PUBLICATION
 © COPYRIGHT 19 BY AMP INCORPORATED, HARRISBURG, PA. ALL INTERNATIONAL RIGHTS RESERVED. AMP PRODUCTS MAY BE COVERED BY U.S. AND FOREIGN PATENTS AND/OR PATENTS PENDING.

LOC		DIST		P		F		ZONE		LTR		REVISIONS		DATE	APPD
DESCRIPTION												DATE	APPD		
												W	SUPSD 2--5 PER 0160-4756-95	7-10-96	WS
												Y	REV PER EC 0320-138-97	01 MAY 97	GJ
												Z	SUPSD -21, -23 AND 0B5 -25 PER EC 063C-146-99	14 APR 00	SR

- RECEPTACLE ACCEPTS A .008-.014 THICK I.C. LEAD.
 - TUBE LOADED FOR AUTOMATIC INSERTION.
- △ TWO .000030 MIN THK. GOLD STRIPES IN CONTACT AREA WITH TIN-LEAD (93/7) ON CONTACT LEGS, BALANCE OF CONTACT NICKEL PLATED.
 - △ TWO .000015 MIN THK. GOLD STRIPES IN CONTACT AREA WITH TIN-LEAD (93/7) ON CONTACT LEGS, BALANCE OF CONTACT NICKEL PLATED.



OBSELETE	TINNED	PHOS.BRZ. .006 THK	GLASS-FILLED THERMOPLASTIC, 94V-0, BLACK	2-641599-5
	△	PHOS.BRZ. .006 THK	GLASS-FILLED THERMOPLASTIC, 94V-0, BLACK	2-641599-4
SUPERSEDED BY 390261-3	TINNED	PHOS.BRZ. .006 THK	GLASS-FILLED THERMOPLASTIC, 94V-0, BLACK	2-641599-3
	△	BE.CU. .006 THK	GLASS-FILLED THERMOPLASTIC, 94V-0, BLACK	2-641599-2
SUPERSEDED BY 390261-3	TINNED	BE.CU. .006 THK	GLASS-FILLED THERMOPLASTIC, 94V-0, BLACK	2-641599-1
	CONTACT FINISH	CONTACT MAT'L	HOUSING MATERIAL	PART NO.

UNLESS OTHERWISE SPECIFIED DIMENSIONS ARE IN INCHES TOLERANCES ON :		DR	M.CYRUS	8-17-87	PART NO	
2 PL DEC ± .		CHK	R.MILLER	8-31-87	AMP INCORPORATED Harrisburg, Pa. 17105	
3 PL DEC ± .005		APPD	J.LAMBERT	9-4-87	NAME	
ANGLES ± 0°30'		APPD			SOCKET ASSY, DIP, LADDER, 14 POS, DIPLOMATE™ DL	
MATERIAL	SEE TABLE	PRODUCT SPEC	108-1066	SIZE	FSCM NO	DRAWING NO
FINISH	SEE TABLE	APPLICATION SPEC	114-1049	D	00779	641599
		WEIGHT	-	SCALE	5:1	SHEET 1 OF 1